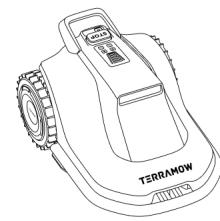


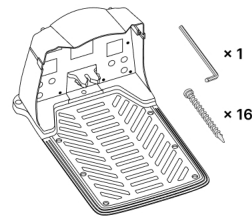


DOWNLOAD APP

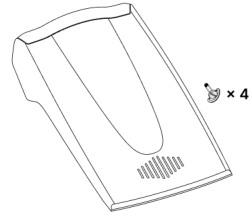
1 WHAT'S IN THE BOX



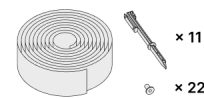
TerraMow



Base Station



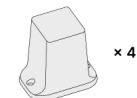
Base Station Garage



No-Go Zone Marker Kit



Power Adapter & Cable

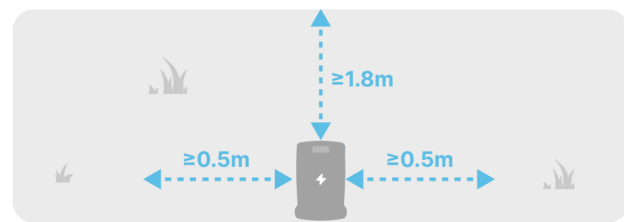


Multi-Zone Pathway Sign



Blade Kit

2 PLACE STATION



No obstacles (e.g. houses or trees) within 0.5m on left and right sides, as well as 1.8m in front of it.



Flat lawn with no slopes, stones, steps.



Strong 2.4G or 5G Wi-Fi connection.



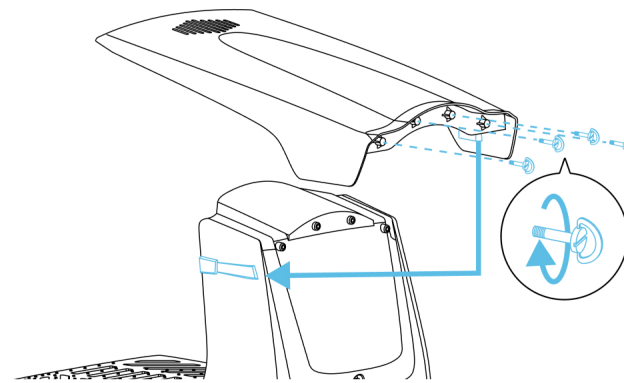
Delete the existing map in TerraMow App **when the base station is relocated.**



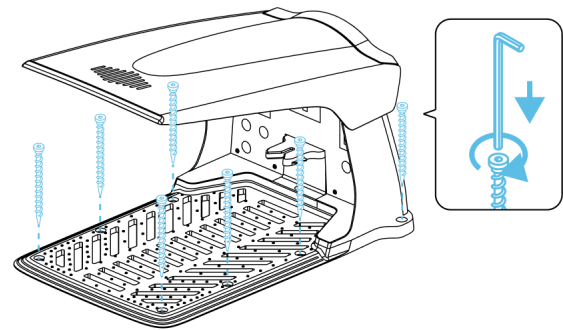
Please clean the base station regularly.

3 INSTALLATION

1

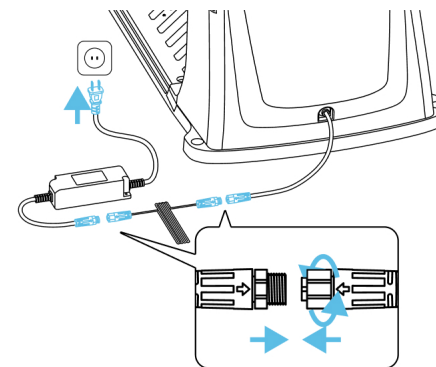


2

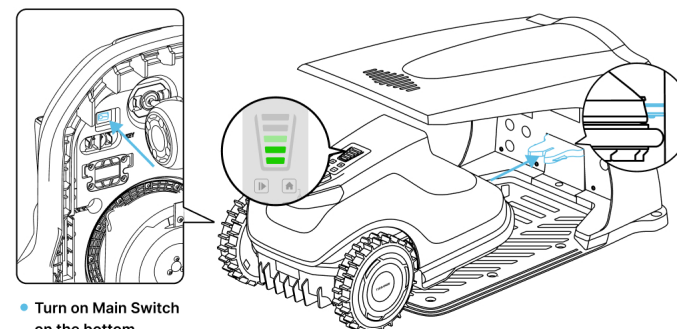


Please make sure to secure the base station before using.

3

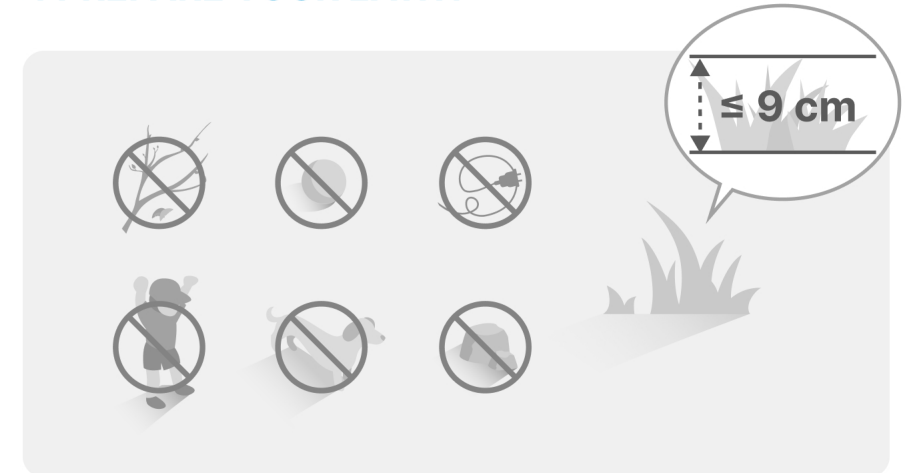


4



• Turn on Main Switch on the bottom

4 PREPARE YOUR LAWN



- Clear small obstacles on the lawn, such as toys, cables, small branches, and large amounts of fallen leaves.
- Cut grass to under 9cm or less.
- Keep children and pets away from TerraMow.

5 MOWER OPERATION

START TASK	Press , then press
PAUSE	Press or or or
RETURN TO STATION	Pause first, press , then press
EMERGENCY STOP	Press
CONFIGURE OR RESET WI-FI CONNECTION	Press and hold both and for 2s

6 SUPPORT

Scan the QR code for the User Manual, and Video Guide.

Email Support: support@terramow.com

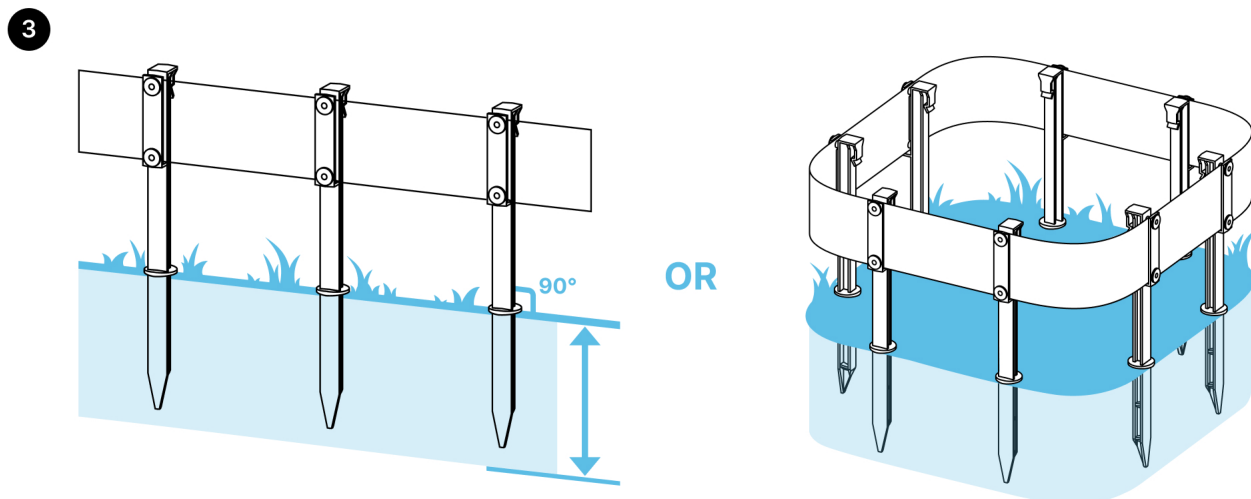
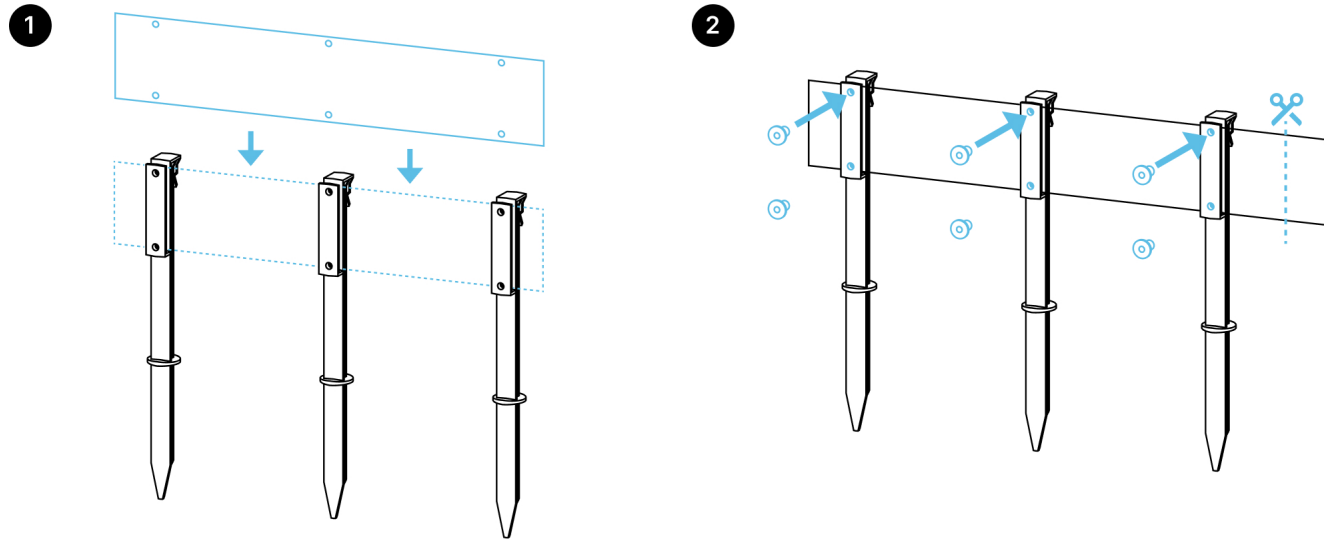


NO-GO ZONE MARKER

Prevent TerraMow from entering a certain area by setting up the No-go Zone marker.

Recommended No-go Zones:

- Water edges, such as fishponds and swimming pools.
- Low flowerbeds, your beloved crops.
- Step or cliff that is more than 3 cm high.
- Tent line, water hoses, sprinkler, electric wire, power cable.



MULTI-ZONE PATHWAY SIGN

Guide TerraMow to travel straightly between adjacent lawns within a 5 meter (16ft) distance.

Set up the Multi-Zone Pathway Signs before the first use.

