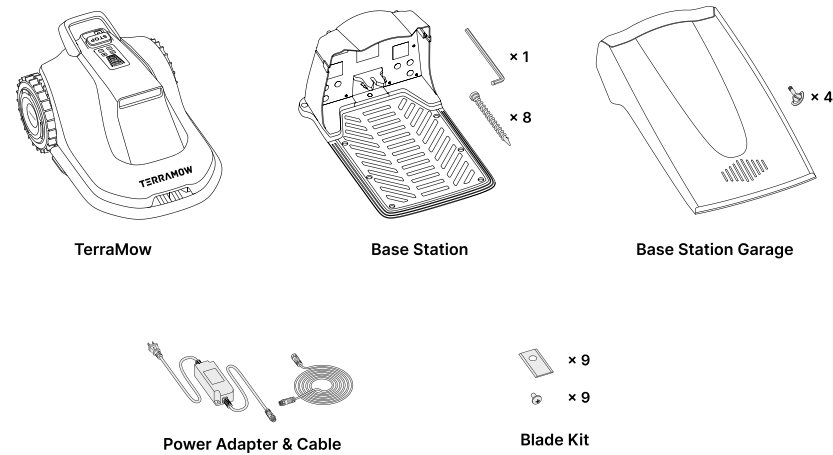


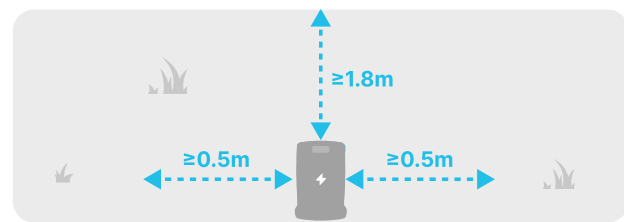


DOWNLOAD APP

1 WHAT'S IN THE BOX

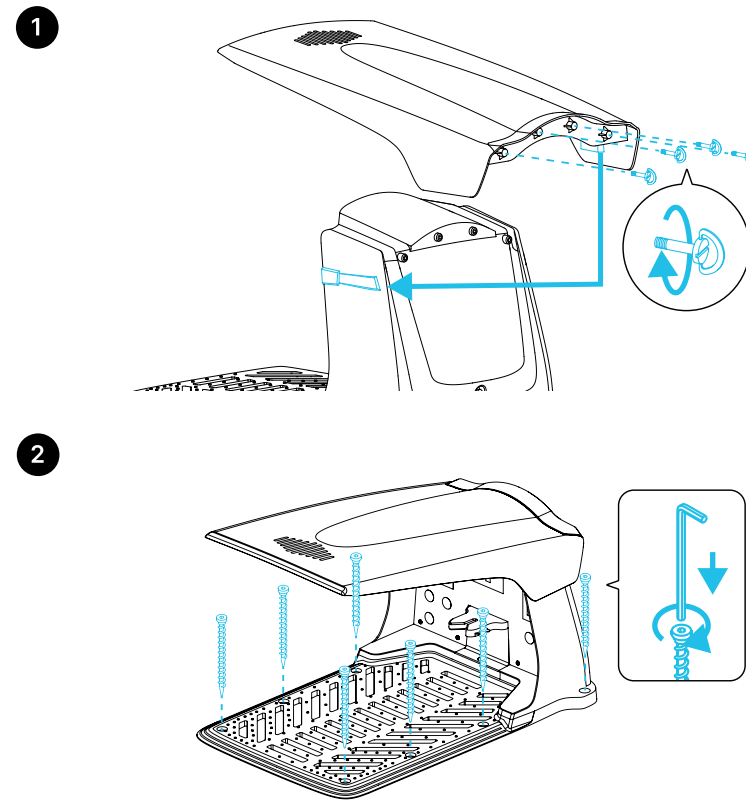


2 PLACE STATION

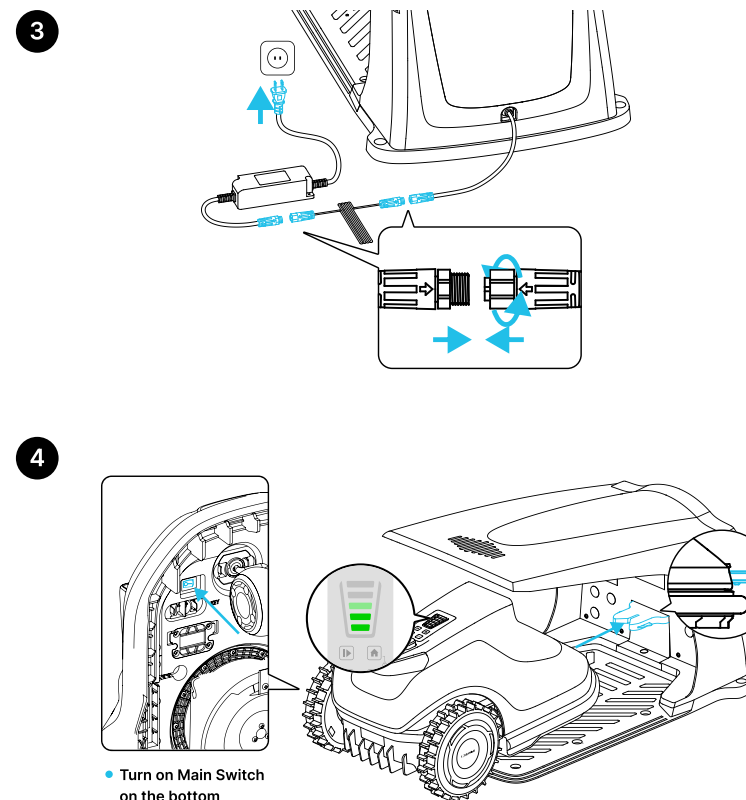


- No obstacles (e.g. houses or trees) within 0.5 m on left and right sides, as well as 1.8 m in front of it.
- Flat lawn with no slopes, stones, steps.
- Strong 2.4G or 5G Wi-Fi connection.
- Tap "Relocate base station" in App **when the base station is relocated.**
- Please clean the base station regularly.

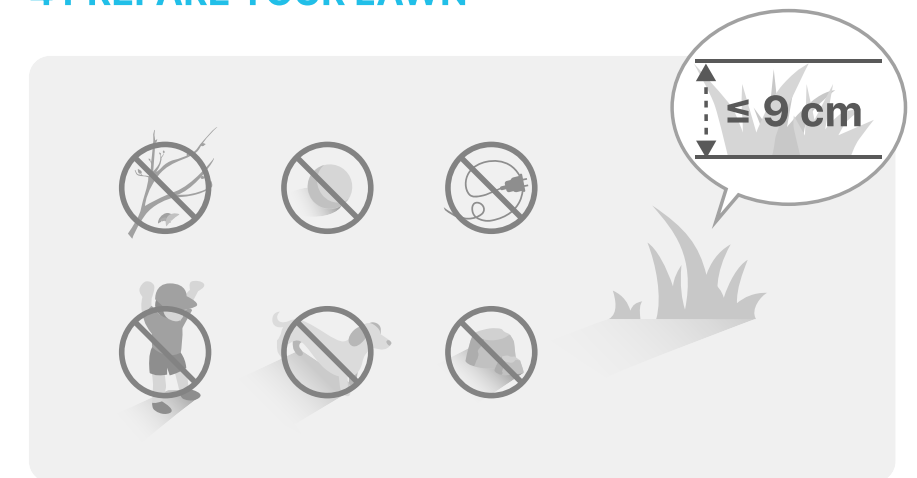
3 INSTALLATION



Please make sure to secure the base station before using.



4 PREPARE YOUR LAWN



- Clear small obstacles on the lawn, such as toys, cables, small branches, and large amounts of fallen leaves.
- Cut grass to under 9 cm or less.
- Keep children and pets away from TerraMow.

5 MOWER OPERATION

START TASK	Press , then press
START SPOT MODE	Press and hold for 2s, then press
PAUSE	Press or or or
RETURN TO STATION	Press , press , then press
EMERGENCY STOP	Press
CONFIGURE OR RESET WI-FI CONNECTION	Press and hold both and for 2s

6 SUPPORT

Scan the QR code for the User Manual, and Video Guide.
Email Support: support@terramow.com

